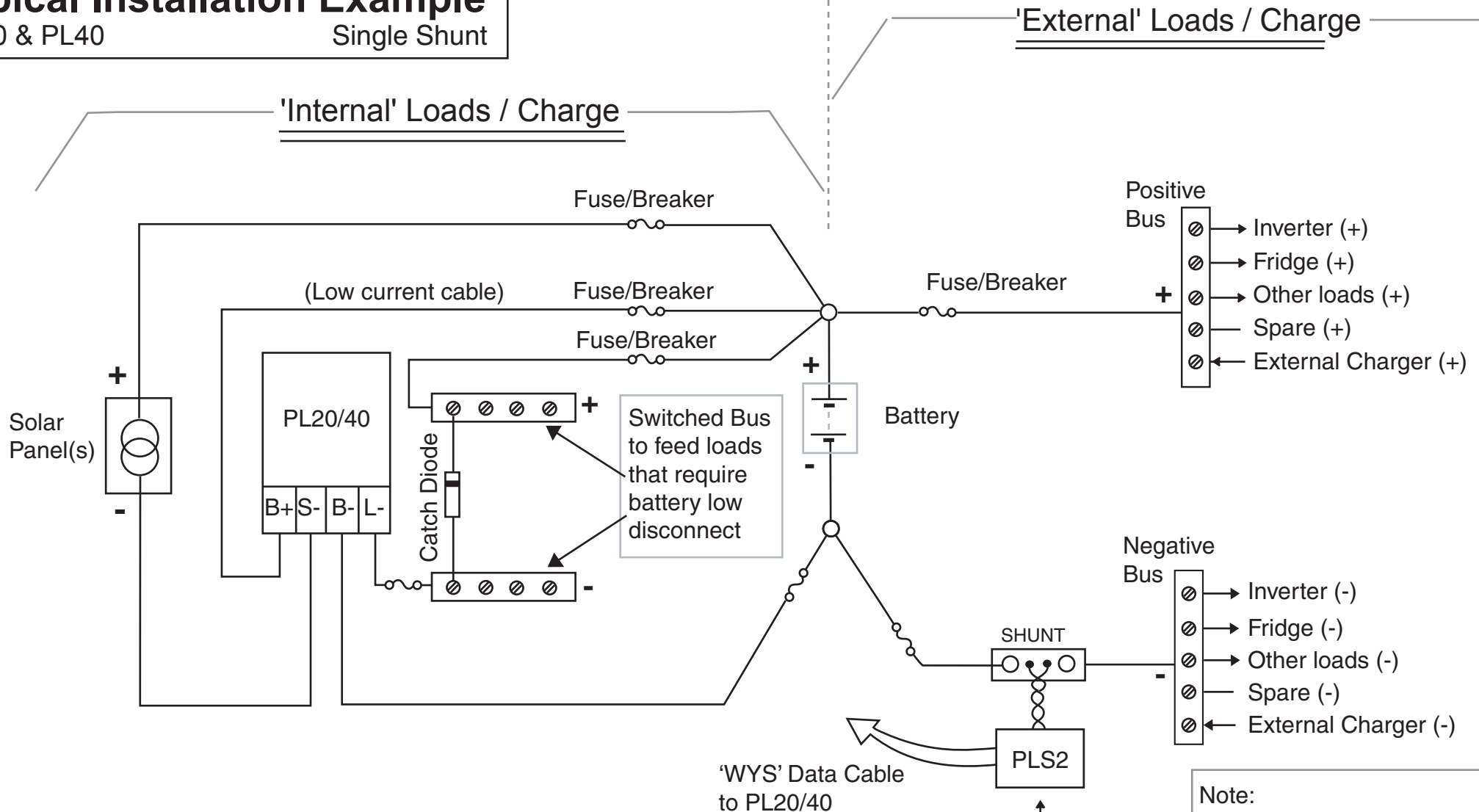


Typical Installation Example

PL20 & PL40

Single Shunt



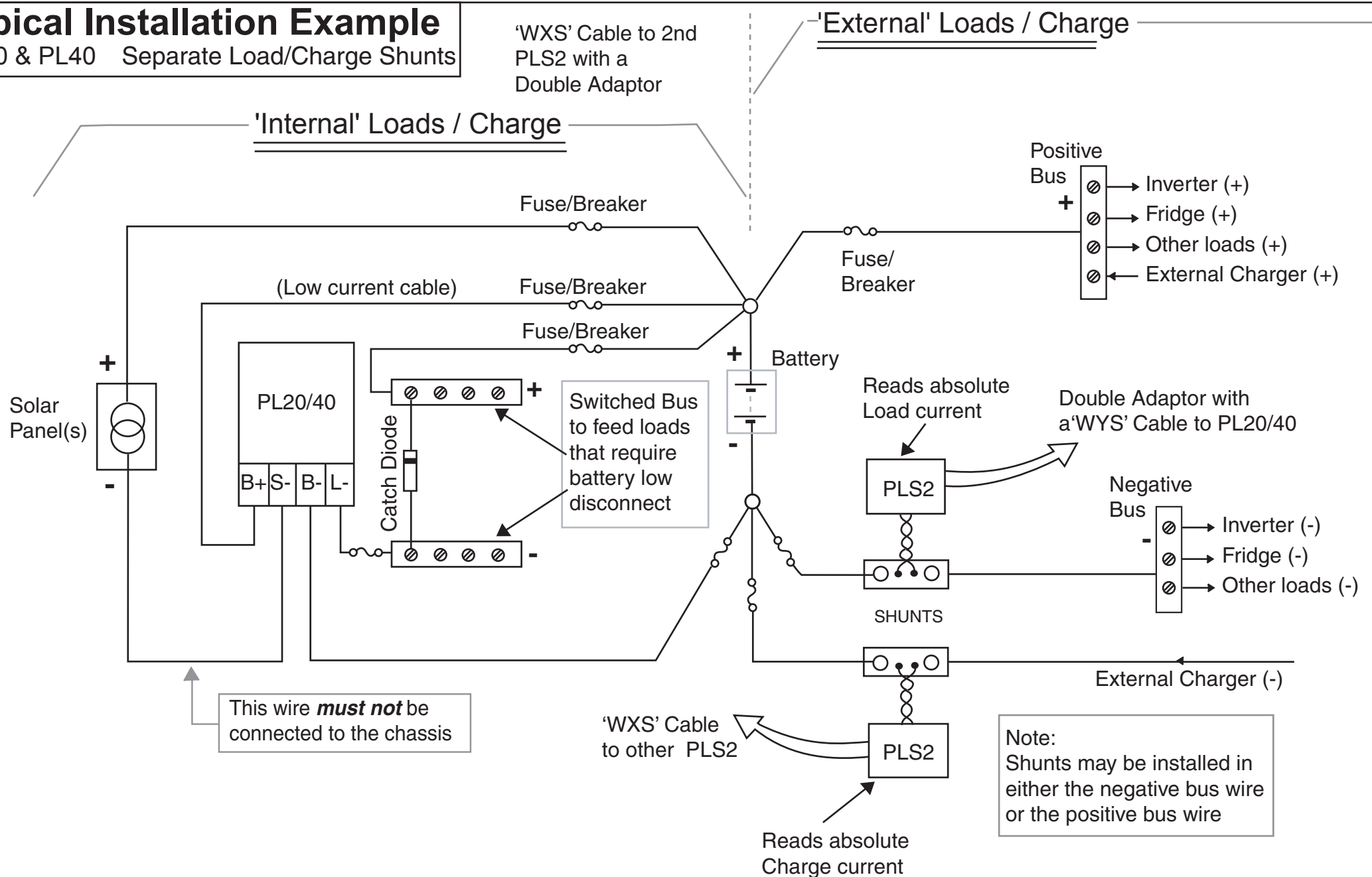
Note: Shunt reads 'balance' of load/charge current since some external charge current may be 'taken' by load and not go through shunt.

Note: Shunts may be installed in either the negative bus wire or the positive bus wire

This diagram is for reference only. Wiring and fuses etc. must be installed as specified by the relevant Australian Standards.

Typical Installation Example

PL20 & PL40 Separate Load/Charge Shunts



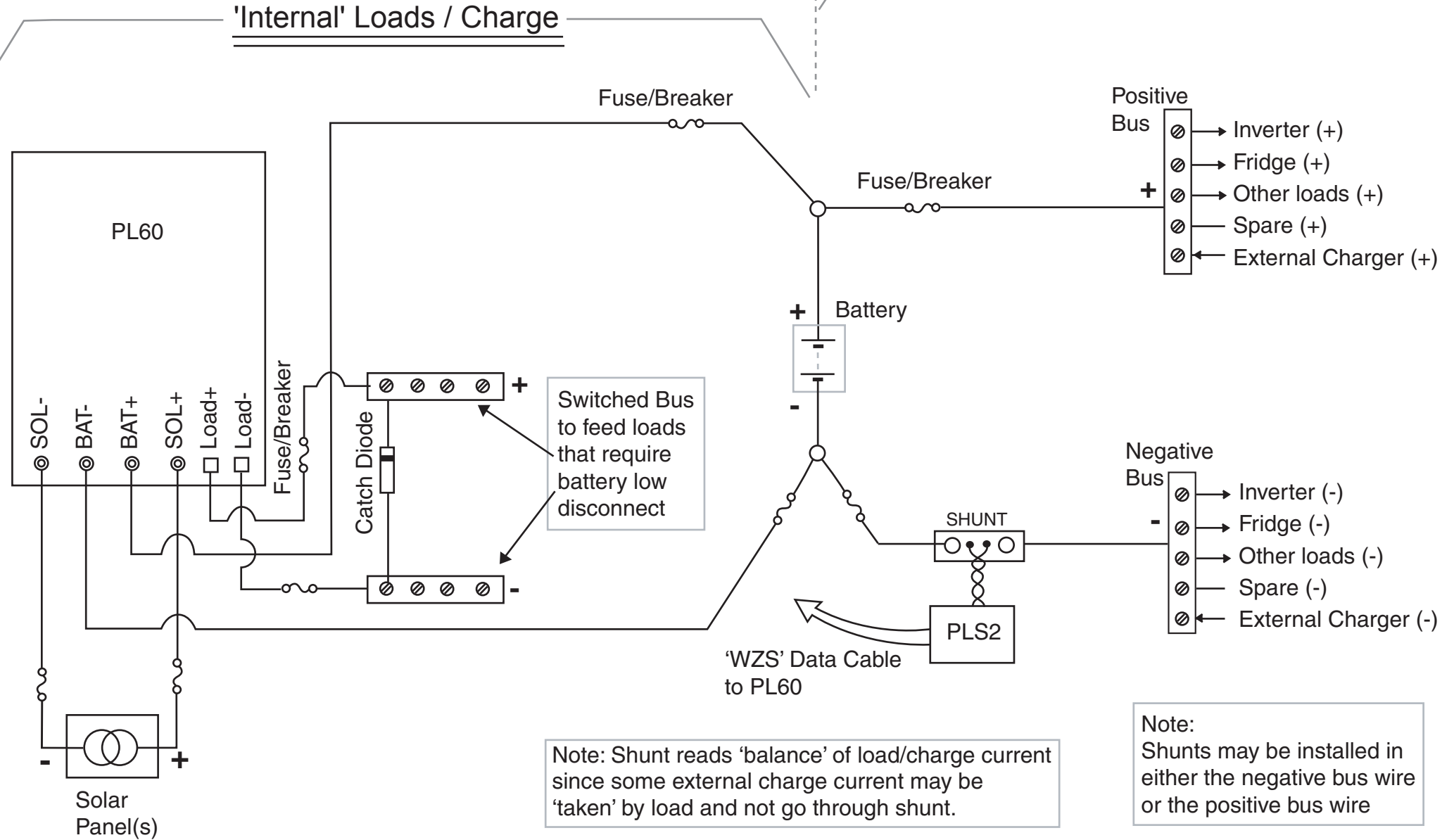
This diagram is for reference only. Wiring and fuses etc. must be installed as specified by the relevant Australian Standards.

Note:
This configuration gives absolute external charge current reading in CHRG / CEXT screen and absolute external load current reading in LOAD / LEXT screen

Typical Installation Example

PL60

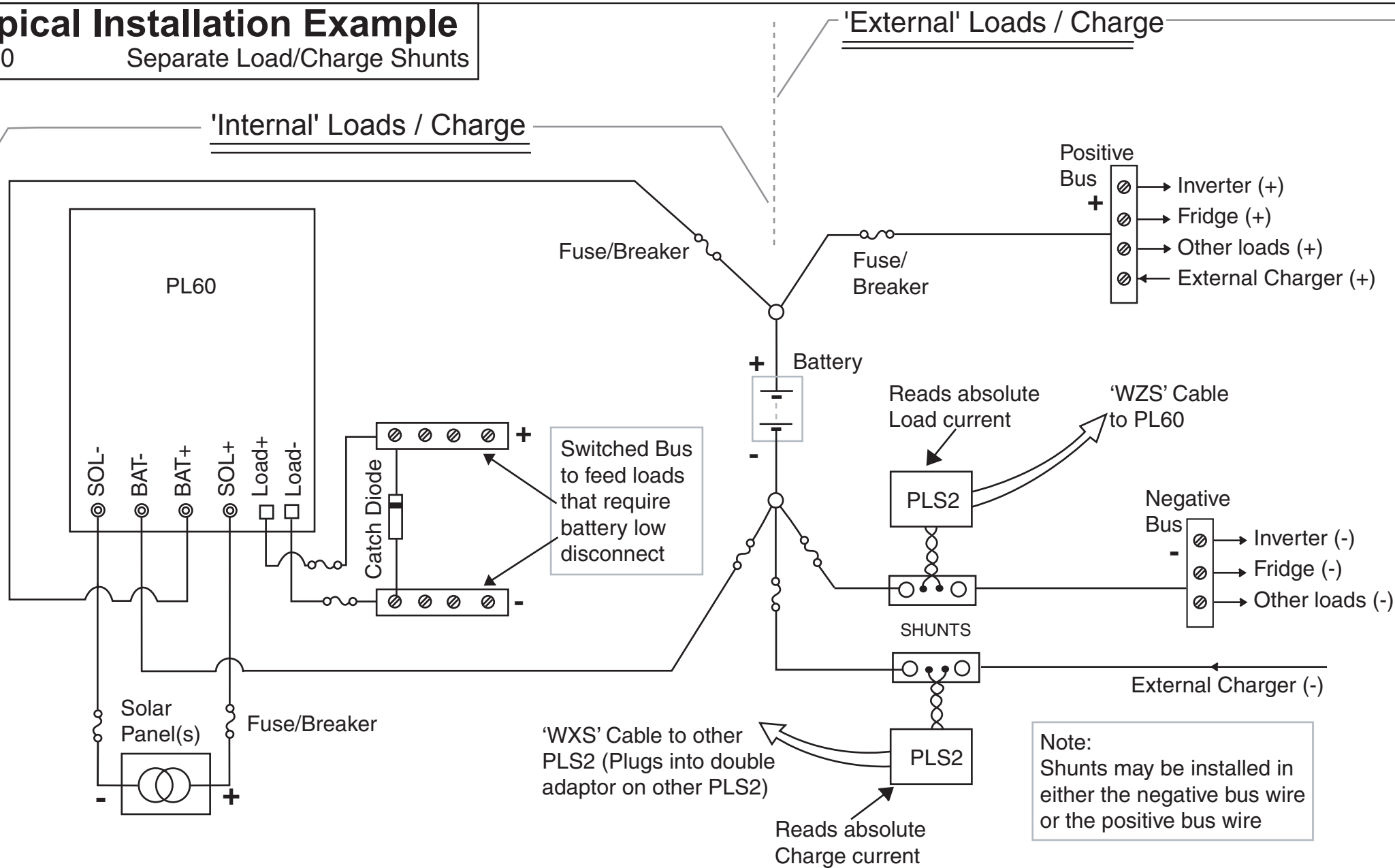
Single Shunt



This diagram is for reference only. Wiring and fuses etc. must be installed as specified by the relevant Australian Standards.

Typical Installation Example

PL60 Separate Load/Charge Shunts



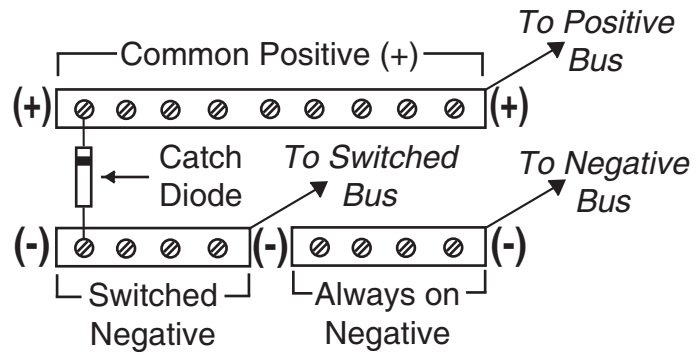
Note:
Shunts may be installed in either the negative bus wire or the positive bus wire

Note:
This configuration gives absolute external charge current reading in CHRG / CEXT screen and absolute external load current reading in LOAD / LEXT screen

This diagram is for reference only. Wiring and fuses etc. must be installed as specified by the relevant Australian Standards.

Installation Ideas

Possible Power Bus Layout



This diagram is for reference only. Wiring and fuses etc. must be installed as specified by the relevant Australian Standards.