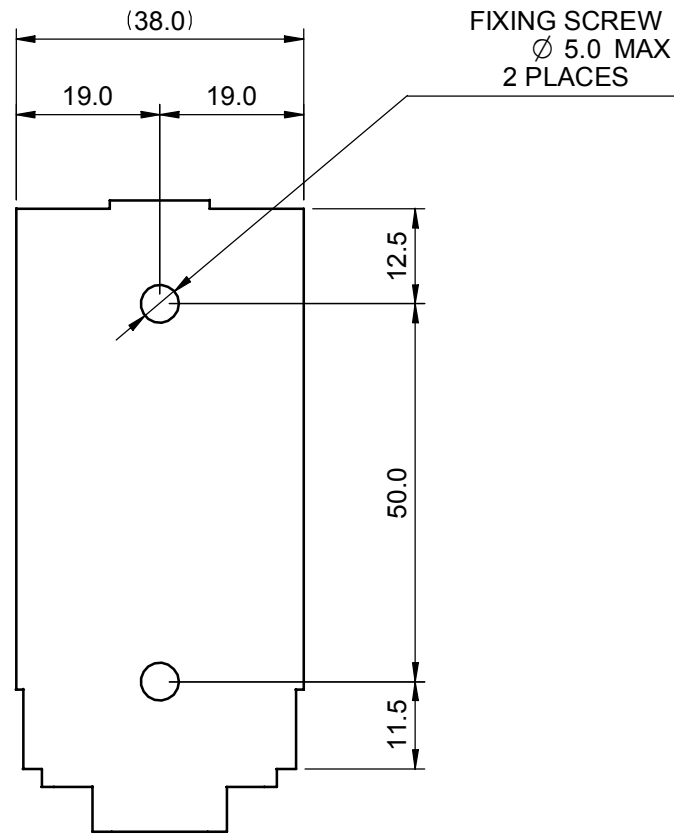
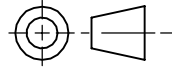


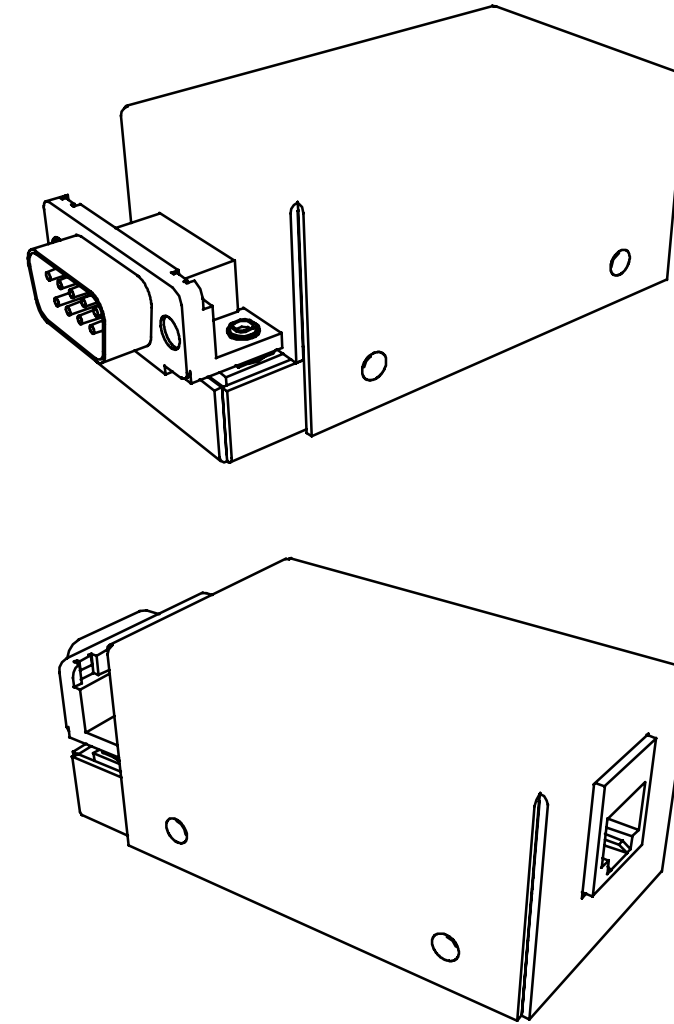
DRG No. **D232-1213**

DO NOT SCALE



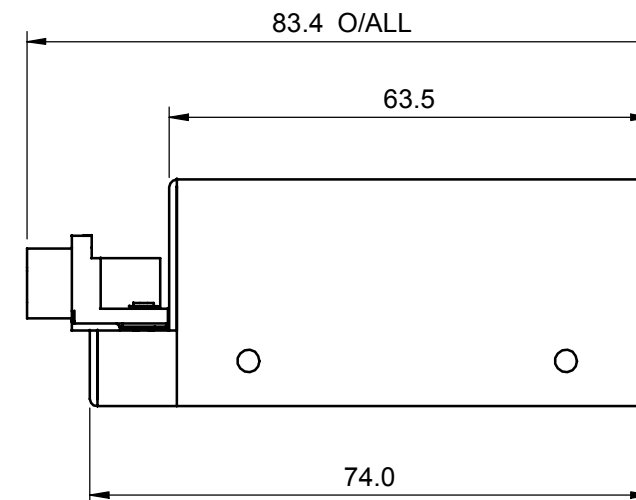
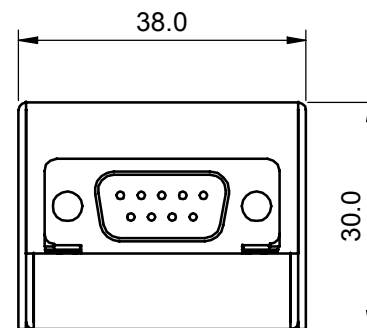
FIXING SCREW
 \varnothing 5.0 MAX
 2 PLACES

FIXING TEMPLATE



CASE MOUNTING INSTRUCTIONS:

1. DRILL 2 HOLES IN WALL FOR FIXING SCREWS AS SHOWN IN THE FIXING TEMPLATE ABOVE.
2. UNCLIP BOTTOM TRAY FROM CASE BY GENTLY PRISING APART CASE SIDES AND RELEASING CASE DIMPLES FROM TRAY SIDE HOLES.
3. FIX TRAY TO WALL USING SUITABLE SCREWS.
4. CLIP CASE ON TO TRAY BY ALIGNING CASE DIMPLES WITH TRAY SIDE HOLES AND PUSHING GENTLY BUT FIRMLY.



	NAME	SIGNATURE	DATE
DRAWN	craig		21/01/2010
CHECKED			
APPROVED			

DRG STANDARDS (UNLESS OTHERWISE STATED)
 TOLERANCES .XX \pm 0.10 .X \pm 0.20
 ANGLES \pm 0.5°
 ALL DIMENSIONS IN MM

MATERIAL SEE DRAWING NOTES



75 NEWMAN STREET THORNBURY VICTORIA 3071 AUSTRALIA
 PH: +61 3 9486 9902 FAX: +61 3 9480 3022 www.plasmatronics.com.au

TITLE **D232 CASE MOUNTING DETAILS**

REV **A** DRAWING NO **D232-1213**

SHEET NO 1 OF 1 SCALE 1:1

A3

COPYRIGHT RESTRICTED. Do not copy by any means or disclose to any third party without written approval from Plasmatronics